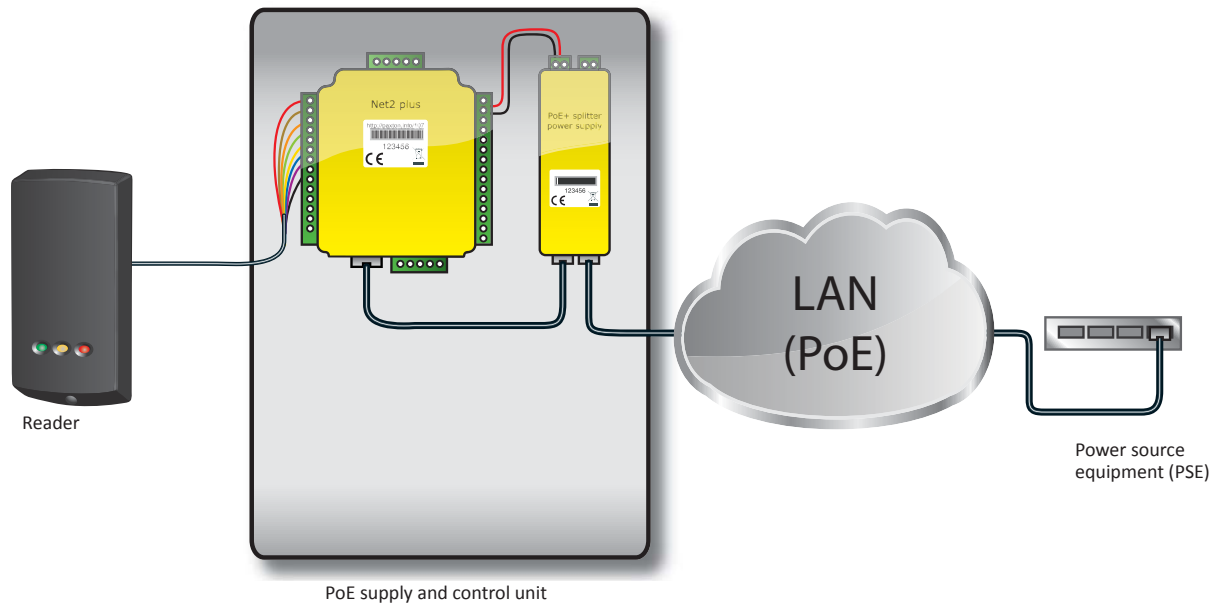


# Net2 plus with Power over Ethernet



A Net2 plus control unit utilizing PoE as a power source



## What is it?

Net2 is a PC based security system for controlling access through doors. Net2 allows users to be given access to particular areas at certain times. Because the system is networked, all administration can be done from a central point.

Power over Ethernet (PoE) is a technology that allows both power and data to be passed along Ethernet cabling. Ethernet is the collection of structured data cabling to connect all local area network (LAN) based equipment, for example PCs and printers.

By combining Net2 plus with PoE, Paxton access control systems become even easier to install, while reducing costs. You no longer need to include a separate mains power supply, saving on extra conduit, cabling and installation time.

Net2 plus with PoE plugs straight into the existing LAN using a standard RJ45 plug (providing it is powered by either a PoE switch or a PoE injector). It can then be detected and configured from the Net2 software in exactly the same way as any other Net2 access control unit.

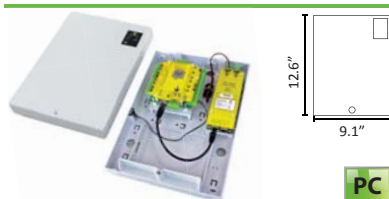
As with all Net2 control units, Net2 plus with PoE is designed to work seamlessly in the event of a communications failure, meaning the control unit will continue to permit or deny access to users as appropriate. Once communications are re-established the activity is reported back to the PC.

## Specifications

Features	
Doors per Access Control Unit (ACU)	1
Number of tokens	50,000
Number of PIN's	50,000
PIN length	4 - 8 digits
Number of codes	50
Code length	4 - 8 digits
Number of time zones	64
Number of access levels	250
Stored events per ACU	2,728
Data retention during a total power loss	28 days
Hands free compatible	Yes - requires interface
3rd party readers	Yes
Clock and data	Yes
26 bit Wiegand	Yes
Custom Wiegand	Yes - Max 50 bits
Door open time	Min 1 sec - Max 999,999 sec
Reader ports per ACU	2
Readers/Keypads per ACU	4 - check current draw on individual readers
Combined reader port output current	500 mA
Software required	Net2 v4.21 and above
Communication	
RS485	ACU has an on-board TCP/IP to RS485 converter
TCP/IP Ethernet	Yes
Ethernet network speed	10 Mbit/s - 100 Mbit/s auto MDIX
Ethernet bandwidth requirement	200 kbit/s
DHCP support (fixed IP recommended)	Yes
RS485 network speed	115.2 kbit/s
Reader cable type	Belden 9540
Data cable type	Cat5 or Belden 8723

Documentation	
More information	<a href="http://paxton.info/1303">http://paxton.info/1303</a>
Installation instructions	<a href="http://paxton.info/1751">http://paxton.info/1751</a>
Specifications	<a href="http://paxton.info/1752">http://paxton.info/1752</a>
Environment	
Operating temperatures - all items	Min 0°C - Max +49°C
Waterproof	No
ACU electrical	
Supply voltage	Min 11V DC - Max 15V DC
Supply current	200 mA
Relay switchable voltage	24V DC
Relay switchable current	4 A
Alarm output current	1 A
PSU electrical	
12V output voltage	Max 13.35V DC
Load output current (PoE+ AT Type 2)	Max 1.5 A
Load output power (PoE+ AT Type 2)	Max 20.4 W
Load output current (AF - AT Type 1)	Max 0.8 A
Load output power (AF - AT Type 1)	Max 10.36 W
Input supply voltage	Min 36V DC - Max 57V DC
Input supply current	Max 0.83 A
Other hardware features	
Volt free control relay	
Input for tamper	
Input for exit button	
Input for PSU fail	
Input for door contact	
Alarm output	
Dedicated intruder alarm integration port	
Integrated termination resistors	

Net2 plus with PoE+ power supply in plastic cabinet



Sales code 682-284-US  
More information <http://paxton.info/1303>

Net2 plus with PoE+ power supply in metal cabinet



Sales code 682-721-US  
More information <http://paxton.info/1303>